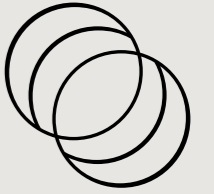


ROSS GARDAM



Featuring solid brass bars paired with textured, tubular formed-glass elements, Volant is an elegant collection of statement luminaires. This delicate light creates an equilibrium between the different materials and offers a beautifully soft level of luminosity.



Volant's modular and architectural nature allow the fixture to span across a plethora of interior spaces. The solid brass bars are individually machined with the luminaire defined by a white glass diffuser which is pinned in-place to the solid brass bar. Textured tubular glass elements are balanced on the same pins creating a uniquely formed illumination.





IMAGE /

LEFT & RIGHT - (VW1) FROSTED BLACK GLASS / BRUSHED BLACKENED BRASS / (VW1) CLEAR FLUTED / BRUSHED BRONZED BRASS





IMAGE /

TOP LEFT / RIGHT - (VW2) FROSTED BLACK GLASS AND BRUSHED BRASS / (VW1) CLEAR FLUTED GLASS AND BRUSHED BRONZED BRASS
BOTTOM LEFT / RIGHT - (VW1) FROSTED WHITE GLASS AND BRUSHED BRASS / (VW2) FROSTED FLUTED GLASS AND BRUSHED BLACKENED BRASS



IMAGE /

(VW2) CLEAR FLUTED GLASS AND BRUSHED BRONZE BRASS





VOLANT WALL LIGHT

VOLANT FEATURES SOLID BRASS BARS, PAIRED WITH TEXTURED, TUBULAR FORMED-GLASS ELEMENTS, CREATING A STATEMENT LUMINAIRE. THIS DELICATE LIGHT CREATES AN EQUILIBRIUM BETWEEN THE DIFFERENT MATERIALS AND OFFERS A BEAUTIFULLY SOFT LEVEL OF LUMINOSITY.



VW1
W 70 H 500 D 80
W 2.8" H 19.7" D 3.2"



VW1
W 160 H 500 D 80
W 6.3" H 19.7" D 3.2"

*DOTTED LINE REPRESENTS
OPTIONAL JUNCTION BOX COVER PLATE





IMAGE /

VC323 - CLEAR FLUTED GLASS / BRUSHED BRASS



IMAGE /

LEFT / VC324 - FROSTED BLACK / BRUSHED BRONZED BRASS

RIGHT / VC324 - FROSTED WHITE / BRUSHED BRONZED BRASS





IMAGE /

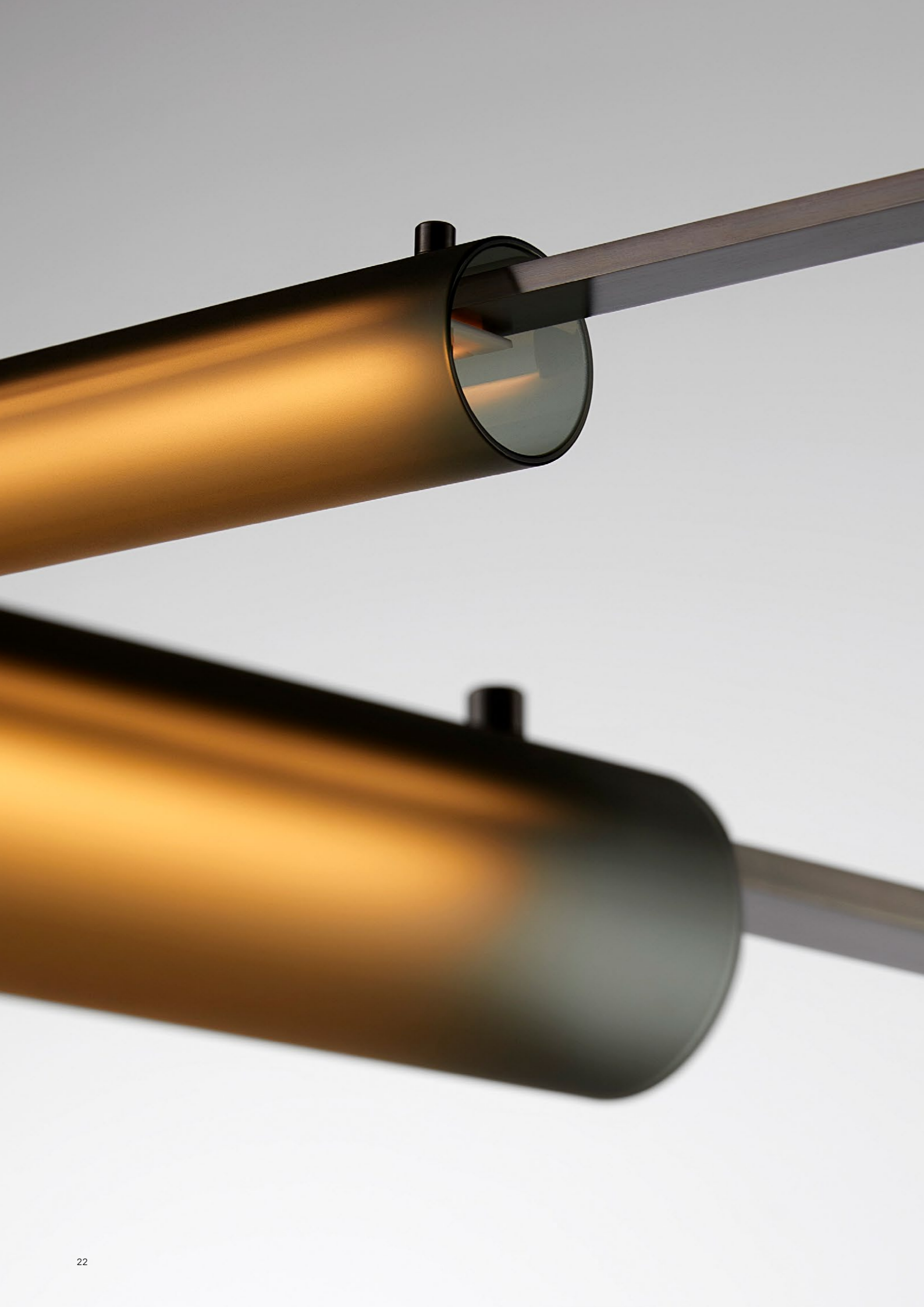
TOP LEFT / RIGHT - (VC211) FROSTED FLUTED GLASS AND BRUSHED BRASS / (VC212) FROSTED BLACK GLASS AND BRUSHED BLACKENED BRASS
BOTTOM LEFT / RIGHT - (VC323) FROSTED WHITE GLASS AND BRUSHED BLACKENED BRASS / (VC324) CLEAR FLUTED GLASS AND BRUSHED BRASS

IMAGE /

(VC324) FROSTED BLACK GLASS / BRUSHED BLACKENED BRASS

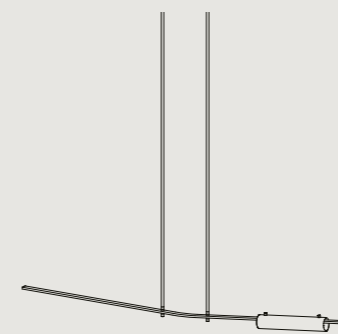




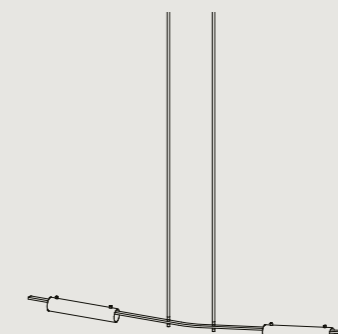


VOLANT 21 & 32 CHANDELIER

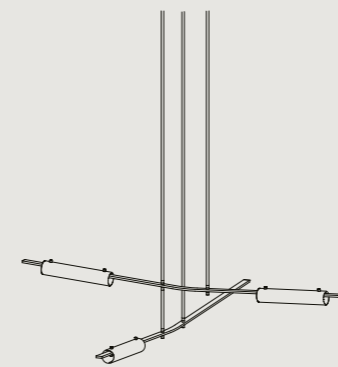
THE LINEAR CONFIGURATION OF THE VOLANT 21 AND 32 MAKES IT IDEAL FOR DINING AREAS, KITCHEN ISLANDS AND OTHER HORIZONTALLY-ORIENTED SPACES.



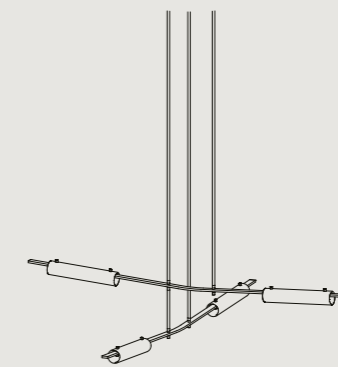
VC211
L 1790 W 70 H 100
L 70.5" W 3" H 4"
MIN DROP HEIGHT - H 300 / 11.8"



VC212
L 1790 W 70 H 100
L 70.5" W 3" H 4"
MIN DROP HEIGHT - H 300 / 11.8"



VC323
L 1790 W 1790 H 350
L 70.5" W 70.5" H 13.8"
MIN DROP HEIGHT - H 550 / 21.7"



VC324
L 1790 W 1790 H 350
L 70.5" W 70.5" H 13.8"
MIN DROP HEIGHT - H 550 / 21.7"





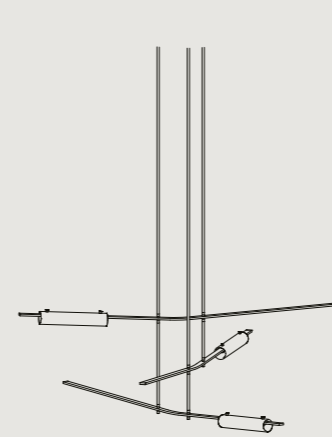
IMAGE /

TOP LEFT / RIGHT - (VC333S) FROSTED BLACK GLASS AND BRUSHED BRASS / (VC333S) FROSTED FLUTED GLASS AND BRUSHED BLACKENED BRASS
 MIDDLE LEFT / RIGHT - (VC333L) CLEAR FLUTED GLASS AND BRUSHED BRONZED BRASS / (VC333L) FROSTED WHITE GLASS AND BRUSHED BRASS

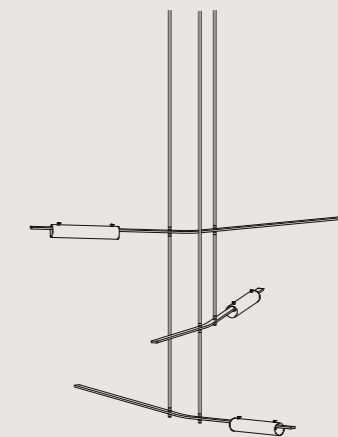


VOLANT 33 CHANDELIER

THE VOLANT 33 FEATURES TRIPLE ARRAYED BARS DESIGNED TO ENHANCE LARGER SPACES WITH ITS ARRANGEMENT OF THREE HORIZONTAL BARS.



VC333S
 L 1790 W 1570 H 600
 L 70.5" W 61.8" H 23.6"
 MIN DROP HEIGHT - H 790 / 31.1"



VC333L
 L 1790 W 1570 H 1100
 L 70.5" W 61.8" H 43.3"
 MIN DROP HEIGHT - H 1290 / 50.8"



IMAGE /

LEFT / RIGHT - (VC555) FROSTED BLACK GLASS / BRUSHED BRASS / (VC666) FROSTED FLUTED GLASS / BRUSHED BRONZED BRASS





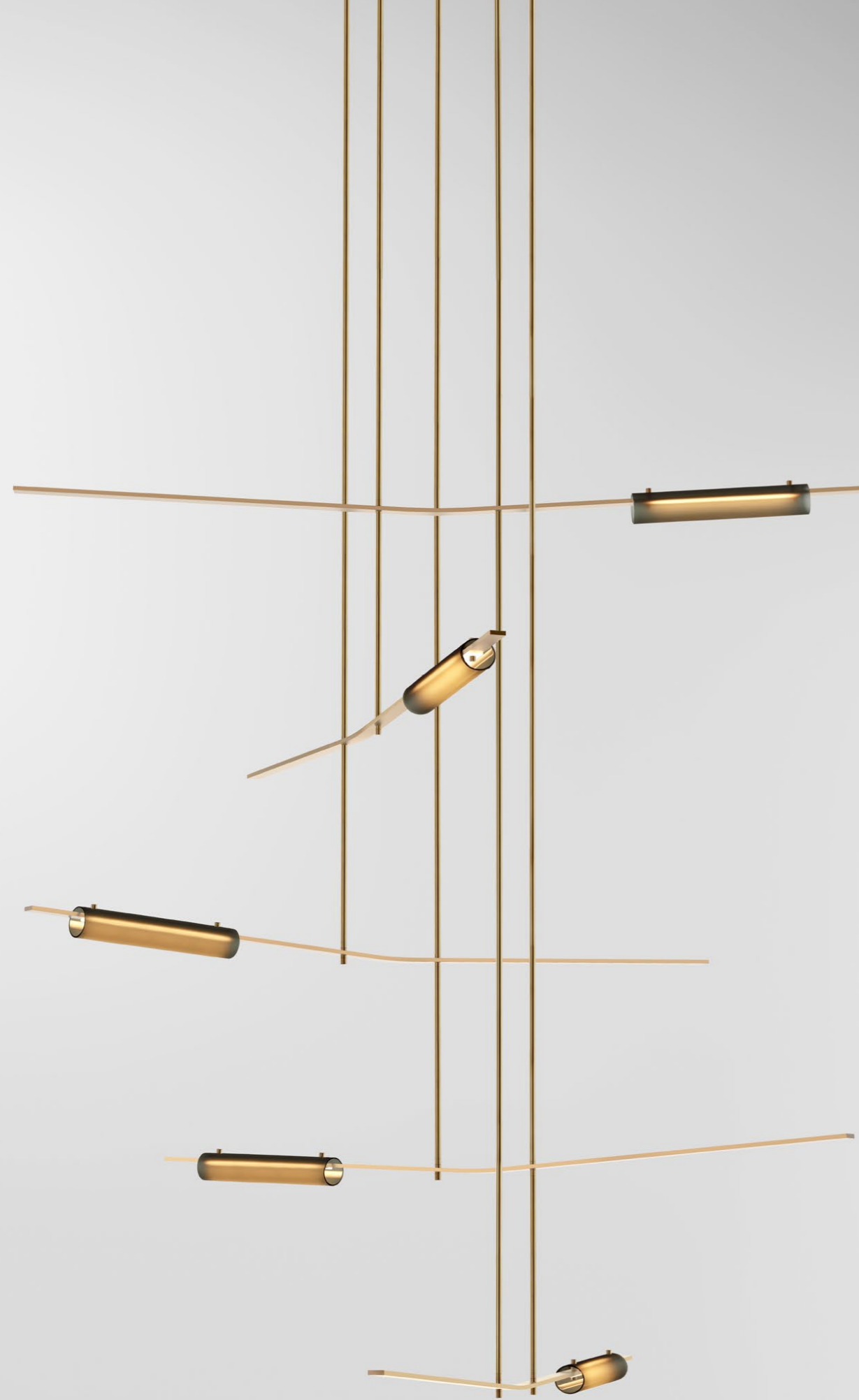
IMAGE /

VC555 - FROSTED BLACK / BRUSHED BLACKENED BRASS



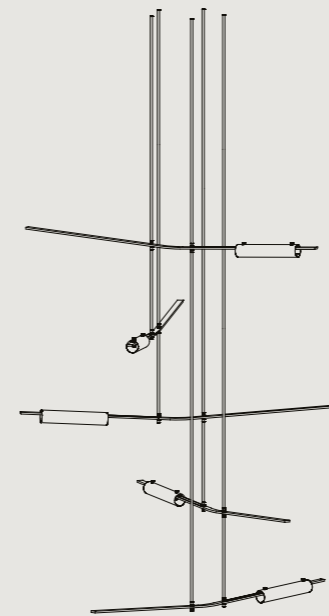
IMAGE /

LEFT / RIGHT - (VC555) FROSTED BLACK GLASS AND BRUSHED BLACKENED BRASS / (VC666) FROSTED WHITE GLASS AND BRUSHED BRASS

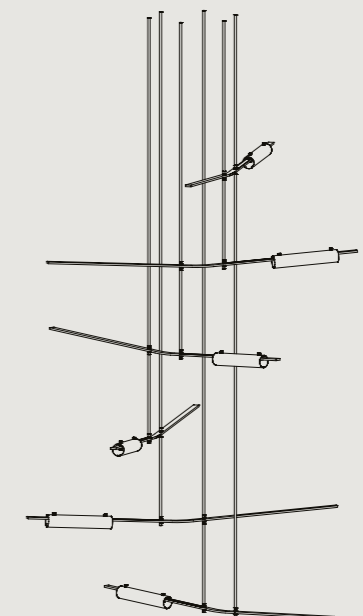


VOLANT 55 & 66 CHANDELIER

THE LARGE FORMAT VOLANT 55 AND 66 FEATURES CIRCULAR ARRAYED BARS CREATED TO MAKE A DRAMATIC STATEMENT IN GRAND ENTRYWAYS, FOYERS AND EXPANSIVE VOIDS.



VC555
 L 1790 W 1720 H 2090
 L 70.5" W 67.7" H 82.3"
 MIN DROP HEIGHT - H 2290 / 102"



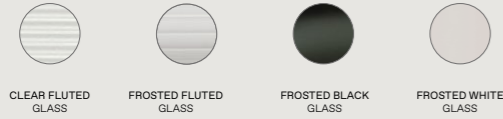
VC666
 L 1790 W 1790 H 2580
 L 70.5" W 70.5" H 101.6"
 MIN DROP HEIGHT - H 2780 / 121.3"



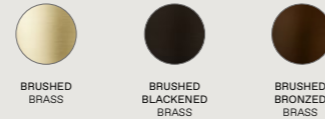
TECHNICAL VOLANT

AVAILABLE FINISHES

GLASS



BODY



MATERIAL	TREATED BRASS, GLASS
FINISH	ALL BRASS FRAMES ARE BRUSHED AND TREATED TO ACHIEVE THE AVAILABLE FINISH OPTIONS, THEN SEALED TO PREVENT ACCELERATED AGING.
LAMPING	SELV 60V (EXTERNAL DRIVER SUPPLIED) VW1 - 5.3W, 775 LM, 2700K VW2 - 7.8W, 1180 LM, 2700K VC211 - 4.4W, 610-670 LM, 2700K VC212 - 8.8W, 1220-1340 LM, 2700K VC323 - 13.2W, 1710-2100 LM, 2700K VC324 - 16W, 2060-2360 LM, 2700K VC333S - 13.2W, 1710-2100 LM, 2700K VC333L - 13.2W, 1710-2100 LM, 2700K VC555 - 22W, 3050-3550 LM, 2700K VC666 - 26.4W, 3660-4020 LM, 2700K WATTAGE AND LUMEN OUTPUT WILL VARY SLIGHTLY DEPENDING ON CONSTANT CURRENT OUTPUT.
220-240V REGIONS	DIMMING OPTIONS · PHASE - DIMMING RANGE 5 - 100% · DALI - DIMMING RANGE 1 - 100%
110-120V REGIONS	DIMMING OPTIONS · PHASE - DIMMING RANGE 3 - 100% · DALI - DIMMING RANGE 0.1 - 100%
	ALL US AND CANADIAN ORDERS COME SUPPLIED WITH 120V COMPONENTRY CERTIFIED FOR USE IN THESE REGIONS. FOR OPTIMAL DIMMING PERFORMANCE WE RECOMMEND SOURCING A DIMMER CAPABLE OF SETTING THE DIMMING RANGE OF THE FIXTURE.
MOUNTING	TO ENSURE CORRECT COVERAGE OVER 4" JUNCTION BOXES AN ADDITIONAL 120MM X 250MM / 4.7" X 9.8" RECTANGULAR COVER PLATE IS SUPPLIED FOR US/ CAN REGIONS. MOUNTING HOLES DESIGNED TO SUIT STANDARD 4" JUNCTION BOXES.
PRODUCT CODES SKU	EG. VC323.G-CFL.BR-BRZ VOLANT 323 CHANDELIER IN CLEAR FLUTED GLASS WITH A BRUSHED BRONZED BRASS FRAME VW1.G-XXX.BR-XXX VOLANT SINGLE WALL LIGHT VW2.G-XXX.BR-XXX VOLANT DOUBLE WALL LIGHT VC211.G-XXX.BR-XXX VOLANT 211 CHANDELIER VC212.G-XXX.BR-XXX VOLANT 212 CHANDELIER VC323.G-XXX.BR-XXX VOLANT 323 CHANDELIER VC324.G-XXX.BR-XXX VOLANT 324 CHANDELIER VC333S.G-XXX.BR-XXX VOLANT 333S CHANDELIER VC333L.G-XXX.BR-XXX VOLANT 333L CHANDELIER VC555.G-XXX.BR-XXX VOLANT 555 CHANDELIER VC666.G-XXX.BR-XXX VOLANT 666 CHANDELIER

FINISHES	GLASS	FROSTED BLACK (G-FBL) CLEAR FLUTED (G-CFL) FROSTED FLUTED (G-FFL) FROSTED WHITE (G-FWH)
	FRAME	BRUSHED BRASS (BR-NAT) BRUSHED BLACKENED BRASS (BR-BLK) BRUSHED BRONZED BRASS (BR-BRZ)
LED LIFESPAN		50,000 HRS
IP RATING		IP20 - FOR INDOOR USE ONLY
CERTIFICATION	AU/NZ EU US/CAN	AS/NZS 60598.1, 60598.2.1 EN 60598.1, 60598.2.1 UL1598, CSA C22.2#250.0
CANOPY		VARIOUS - SEE CANOPY OPTIONS ON SPECIFICATION PAGE
WEIGHT	VW1 VW2 VC211 VC212 VC323 VC324 VC333S VC333L VC555 VC666	2KG / 4.4LB 5KG / 11LB 7.5KG / 16.5LB 8.5KG / 19LB 14.5KG / 32LB 15.5KG / 34LB 19KG / 42LB 20KG / 44LB 35KG / 77LB 42KG / 93LB
PACKAGING	VW1 VW2 VC211 VC212 VC323 VC324 VC333S VC333L VC555 VC666	L 10CM W 60CM H 10CM / L 4" W 23.6" H 4" L 20CM W 60CM H 10CM / L 7.8" W 23.6" H 4" 1 X L 192CM W 37CM H 19CM / L 75.6" W 14.6" H 8" 1 X L 192CM W 37CM H 19CM / L 75.6" W 14.6" H 8" 2 X L 192CM W 37CM H 19CM / L 75.6" W 14.6" H 8" 2 X L 192CM W 37CM H 19CM / L 75.6" W 14.6" H 8" 2 X L 192CM W 37CM H 19CM / L 75.6" W 14.6" H 8" 2 X L 192CM W 37CM H 19CM / L 75.6" W 14.6" H 8" 2 X L 192CM W 37CM H 19CM / L 75.6" W 14.6" H 8" 2 X 16KG / 35LB, 1 X 9KG / 20LB, 1 X 3KG / 6.6LB 3 X 16.5KG / 36.5LB, 1 X 3KG / 6.6LB
PACKAGING WEIGHT	VW1 VW2 VC211 VC212 VC323 VC324 VC333S VC333L VC555 VC666	1 X 3KG / 6.6LB 1 X 6KG / 13.2LB 1 X 10.5KG / 23LB 1 X 11.5KG / 25LB 1 X 13KG / 28.5LB, 1 X 7.5KG / 16.5LB 1 X 13.5KG / 30LB, 1 X 8.5KG / 19LB 1 X 16KG / 35LB, 1 X 9KG / 20LB 1 X 16.5KG / 36.5LB, 1 X 9.5KG / 21LB 3 X L 192CM W 37CM H 19CM / L 75.6" W 14.6" H 8" 1 X L 50CM W 50CM H 25CM / L 19.7" W 19.7" H 10" 3 X L 192CM W 37CM H 19CM / L 75.6" W 14.6" H 8" 1 X L 50CM W 50CM H 25CM / L 19.7" W 19.7" H 10"



ROSS GARDAM

PHOTOGRAPHY BY HAYDN CATTACH - HAYDNCATTACH.COM

COLOUR AND SWATCHES SHOWN IN THIS DOCUMENT ARE FOR REFERENCE ONLY AND MAY DIFFER IN ACTUALITY.

COPYRIGHT ©2023 ROSS GARDAM PTY LTD. ALL CONCEPTS, PHOTOGRAPHY AND IDEAS CONTAINED WITHIN THIS DOCUMENT ARE PRIVATE AND CONFIDENTIAL. THEY MUST NOT BE REPRODUCED IN ANY WAY OR FORM AND REMAIN THE INTELLECTUAL PROPERTY OF ROSS GARDAM. ALL PRODUCTS ARE REGISTERED DESIGNS WITH IP AUSTRALIA.