



ADAPT WORK

WORKSTATIONS

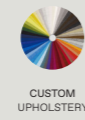
A continuation of the Adapt Lounge and Adapt Hub, the Adapt Work features the same ethos and design details in a flexible desk-based workstation. Created to facilitate collaborative interactions and individual focus within adaptable settings, Adapt Work offers an array of possibilities for the ideal open or secluded workspace.

With its array of desk widths, height options and privacy levels, Adapt Work is a versatile solution for diverse environments such as offices, universities and schools, whether in compact confines or expansive open layouts. Arms and backs can be shared, optimising space utilisation as well as reducing cost and fabric usage and allowing for back-to-back and side-to-side configurations. The module nature of the system also enables perpendicular or enclosed configurations, affording various degrees of privacy to suit distinct requirements.

AVAILABLE LEG FINISHES



AVAILABLE UPHOLSTERY



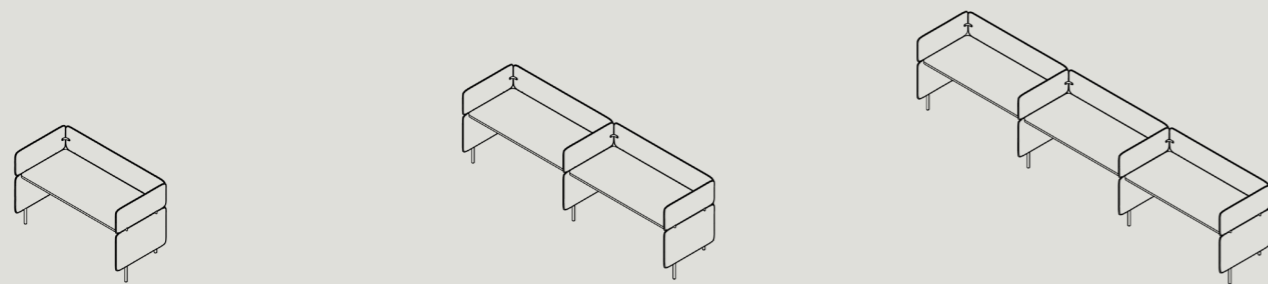
TECHNICAL

ALL ADAPT WORK CONFIGURATIONS ARE AVAILABLE IN 3 DESK WIDTHS; 1330, 1520 (AS SHOWN) & 1710MM)

PRODUCT CODES SKU

EG. AWH-D-OL4-B-XXXX = ADAPT WORK HIGH-BACK - DOUBLE SCREEN - OPEN LINEAR 4 DESK - BACK-TO-BACK - XXXX (DESK WIDTH)

ADAPT WORK MID-BACK OPEN SINGLE / LINEAR

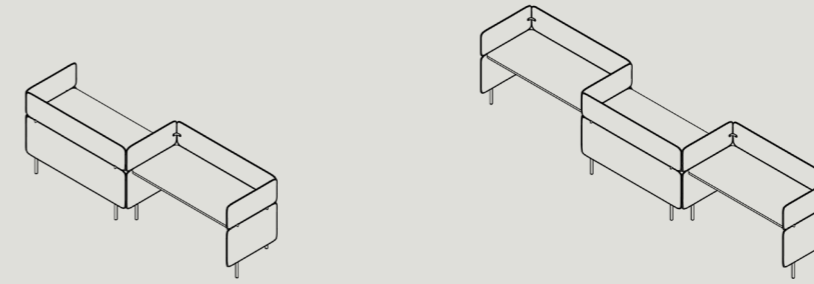


AWM-OL1-XXXX
1330 - W 1460 / D 825 / H 1025
1520 - W 1650 / D 825 / H 1025
1710 - W 1840 / D 825 / H 1025

AWM-OL2-XXXX
1330 - W 2855 / D 825 / H 1025
1520 - W 3235 / D 825 / H 1025
1710 - W 3615 / D 825 / H 1025

AWM-OL3-XXXX
1330 - W 4350 / D 825 / H 1025
1520 - W 4820 / D 825 / H 1025
1710 - W 5390 / D 825 / H 1025

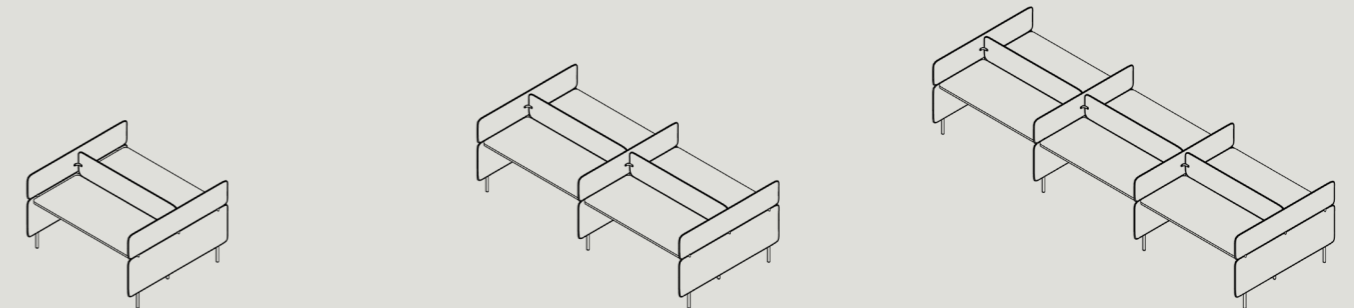
ADAPT WORK MID-BACK OPEN DESK ALTERNATING



AWM-OL2-A-XXXX
1330 - W 2855 / D 825 / H 1025
1520 - W 3235 / D 825 / H 1025
1710 - W 3615 / D 825 / H 1025

AWM-OL3-A-XXXX
1330 - W 4350 / D 825 / H 1025
1520 - W 4820 / D 825 / H 1025
1710 - W 5390 / D 825 / H 1025

ADAPT WORK MID-BACK OPEN BACK TO BACK

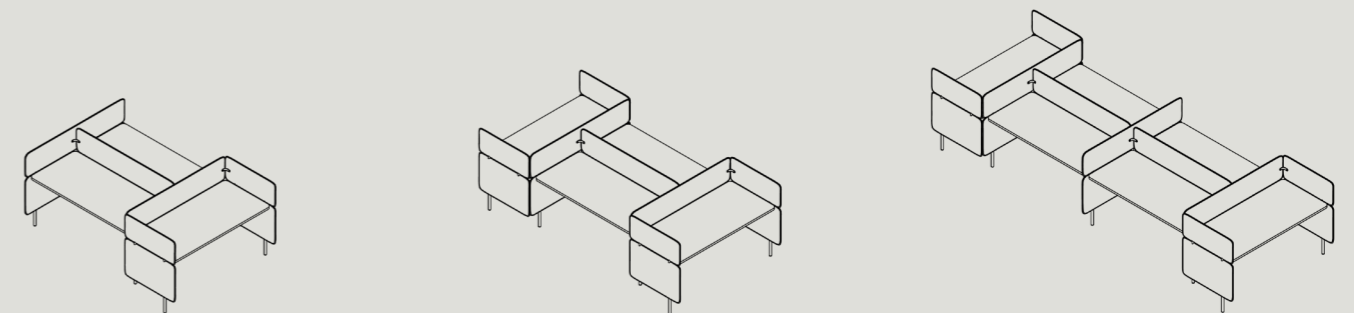


AWM-OL2-B-XXXX
1330 - W 1460 / D 1650 / H 1025
1520 - W 1650 / D 1650 / H 1025
1710 - W 1840 / D 1650 / H 1025

AWM-OL4-B-XXXX
1330 - W 2855 / D 1650 / H 1025
1520 - W 3235 / D 1650 / H 1025
1710 - W 3615 / D 1650 / H 1025

AWM-OL6-B-XXXX
1330 - W 4250 / D 1650 / H 1025
1520 - W 4820 / D 1650 / H 1025
1710 - W 5390 / D 1650 / H 1025

ADAPT WORK MID-BACK OPEN PERPENDICULAR

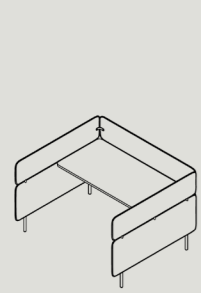


AWM-OP3-XXXX
1330 - W 2220 / D 1650 / H 1025
1520 - W 2410 / D 1650 / H 1025
1710 - W 2600 / D 1650 / H 1025

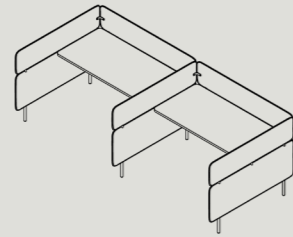
AWM-OP4-XXXX
1330 - W 2980 / D 1650 / H 1025
1520 - W 3170 / D 1650 / H 1025
1710 - W 3360 / D 1650 / H 1025

AWM-OP6-XXXX
1330 - W 4375 / D 1650 / H 1025
1520 - W 4755 / D 1650 / H 1025
1710 - W 5135 / D 1650 / H 1025

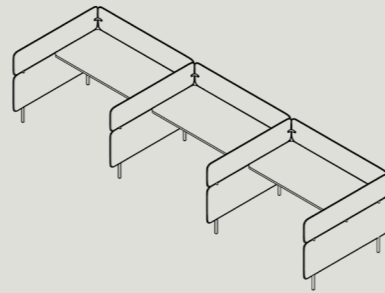
ADAPT WORK MID-BACK SEMI PRIVATE SINGLE / LINEAR



AWM-SPL1-XXXX
1330 - W 1460 / D 1460 / H 1025
1520 - W 1650 / D 1460 / H 1025
1710 - W 1840 / D 1460 / H 1025

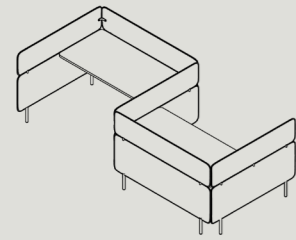


AWM-SPL2-XXXX
1330 - W 2855 / D 1460 / H 1025
1520 - W 3235 / D 1460 / H 1025
1710 - W 3615 / D 1460 / H 1025

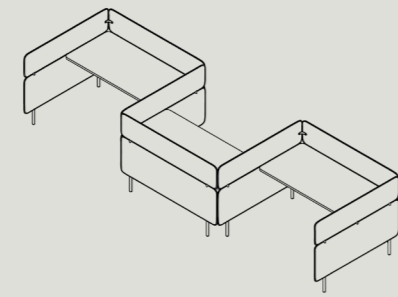


AWM-SPL3-XXXX
1330 - W 4250 / D 1460 / H 1025
1520 - W 4820 / D 1460 / H 1025
1710 - W 5390 / D 1460 / H 1025

ADAPT WORK MID-BACK SEMI PRIVATE ALTERNATING

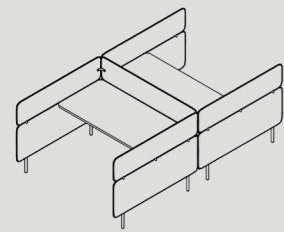


AWM-SPL2-A-XXXX
1330 - W 2855 / D 1460 / H 1025
1520 - W 3235 / D 1460 / H 1025
1710 - W 3615 / D 1460 / H 1025

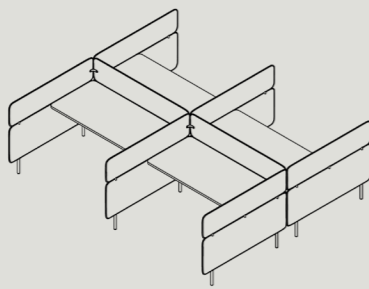


AWM-SPL3-A-XXXX
1330 - W 4250 / D 1460 / H 1025
1520 - W 4820 / D 1460 / H 1025
1710 - W 5390 / D 1460 / H 1025

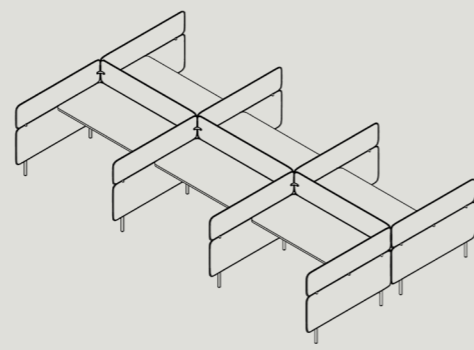
ADAPT WORK MID-BACK SEMI PRIVATE BACK TO BACK



AWM-SPL2-B-XXXX
1330 - W 1460 / D 2845 / H 1025
1520 - W 1650 / D 2845 / H 1025
1710 - W 1840 / D 2845 / H 1025

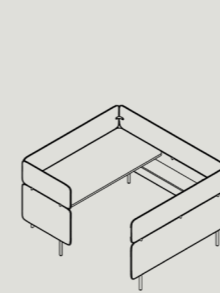


AWM-SPL4-B-XXXX
1330 - W 2855 / D 2845 / H 1025
1520 - W 3235 / D 2845 / H 1025
1710 - W 3615 / D 2845 / H 1025

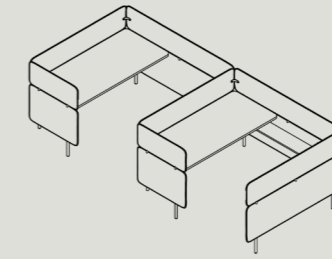


AWM-SPL6-B-XXXX
1330 - W 4250 / D 2845 / H 1025
1520 - W 4820 / D 2845 / H 1025
1710 - W 5390 / D 2845 / H 1025

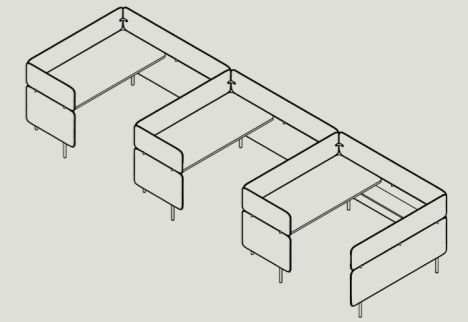
ADAPT WORK MID-BACK PRIVATE SINGLE / LINEAR



AWM-PL1-XXXX
1330 - W 1840 / D 1460 / H 1025
1520 - W 1840 / D 1650 / H 1025
1710 - W 1840 / D 1840 / H 1025

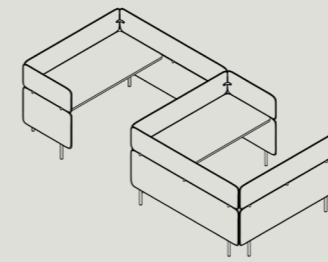


AWM-PL2-XXXX
1330 - W 3605 / D 1460 / H 1025
1520 - W 3605 / D 1650 / H 1025
1710 - W 3605 / D 1840 / H 1025

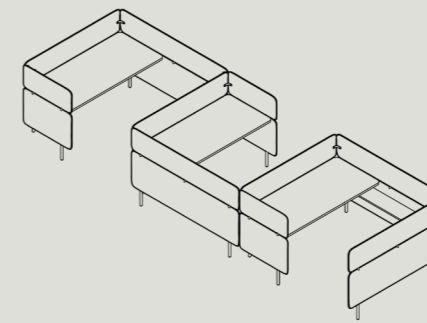


AWM-PL3-XXXX
1330 - W 5370 / D 1460 / H 1025
1520 - W 5370 / D 1650 / H 1025
1710 - W 5370 / D 1840 / H 1025

ADAPT WORK MID-BACK PRIVATE ALTERNATING

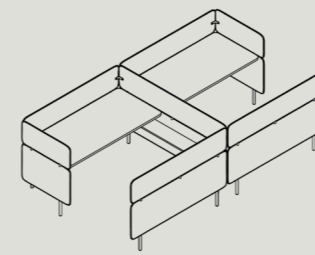


AWM-PL2-A-XXXX
1330 - W 3605 / D 1460 / H 1025
1520 - W 3605 / D 1650 / H 1025
1710 - W 3605 / D 1840 / H 1025

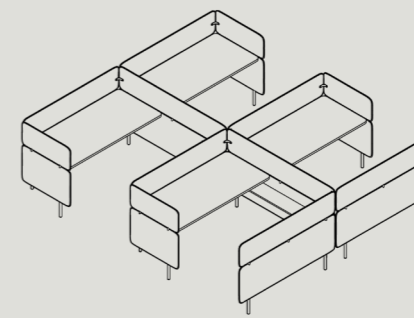


AWM-PL3-A-1520*
1330 - W 5370 / D 1460 / H 1025
1520 - W 5370 / D 1650 / H 1025
1710 - W 5370 / D 1840 / H 1025

ADAPT WORK MID-BACK PRIVATE BACK TO BACK

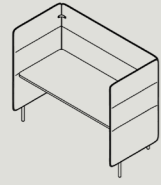


AWM-PL2-B-XXXX
1330 - W 1840 / D 2855 / H 1025
1520 - W 1840 / D 3235 / H 1025
1710 - W 1840 / D 3615 / H 1025

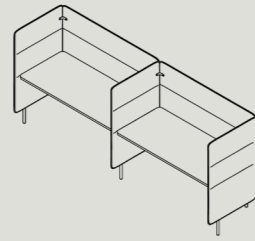


AWM-PL4-B-XXXX
1330 - W 3605 / D 2855 / H 1025
1520 - W 3605 / D 3235 / H 1025
1710 - W 3605 / D 3615 / H 1025

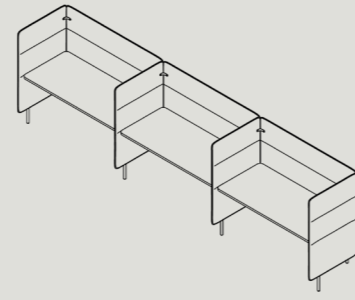
ADAPT WORK HIGH-BACK OPEN SINGLE / LINEAR (SINGLE SCREEN)



AWH-S-OL1-XXXX
1330 - W 1460 / D 825 / H 1350
1520 - W 1650 / D 825 / H 1350
1710 - W 1840 / D 825 / H 1350

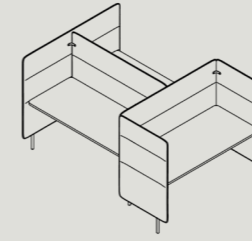


AWH-S-OL2-XXXX
1330 - W 2855 / D 825 / H 1350
1520 - W 3235 / D 825 / H 1350
1710 - W 3615 / D 825 / H 1350

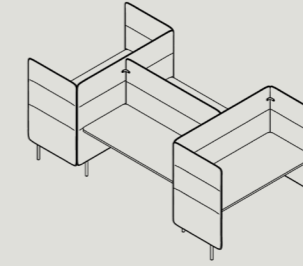


AWH-S-OL3-XXXX
1330 - W 4250 / D 825 / H 1350
1520 - W 4820 / D 825 / H 1350
1710 - W 5390 / D 825 / H 1350

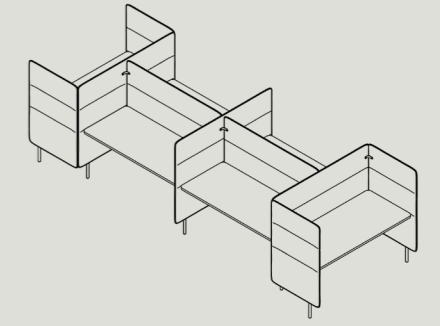
ADAPT WORK HIGH-BACK OPEN PERPENDICULAR (SINGLE SCREEN)



AWM-S-OP3-XXXX
1330 - W 2220 / D 1650 / H 1350
1520 - W 2410 / D 1650 / H 1350
1710 - W 2600 / D 1650 / H 1350

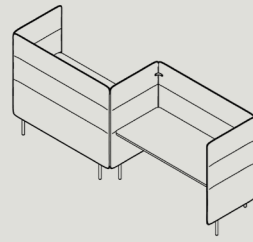


AWM-S-OP4-XXXX
1330 - W 2980 / D 1650 / H 1350
1520 - W 3170 / D 1650 / H 1350
1710 - W 3360 / D 1650 / H 1350

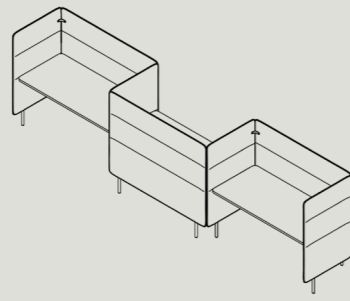


AWM-S-OP6-XXXX
1330 - W 4375 / D 1650 / H 1350
1520 - W 4755 / D 1650 / H 1350
1710 - W 5135 / D 1650 / H 1350

ADAPT WORK HIGH-BACK OPEN ALTERNATING (SINGLE SCREEN)

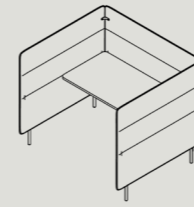


AWH-S-OL2-A-XXXX
1330 - W 2855 / D 825 / H 1350
1520 - W 3235 / D 825 / H 1350
1710 - W 3615 / D 825 / H 1350

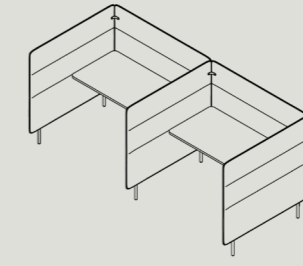


AWH-S-OL3-A-XXXX
1330 - W 4250 / D 825 / H 1350
1520 - W 4820 / D 825 / H 1350
1710 - W 5390 / D 825 / H 1350

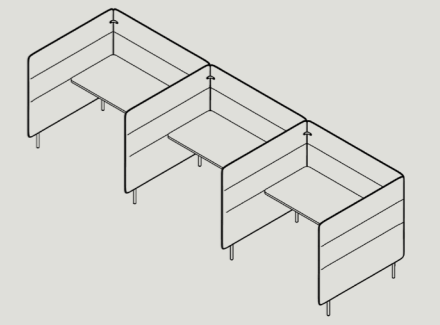
ADAPT WORK HIGH-BACK SEMI PRIVATE SINGLE / LINEAR (SINGLE SCREEN)



AWH-S-SPL1-XXXX
1330 - W 1460 / D 1460 / H 1350
1520 - W 1650 / D 1460 / H 1350
1710 - W 1840 / D 1460 / H 1350

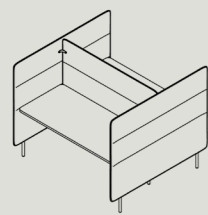


AWH-S-SPL2-XXXX
1330 - W 2855 / D 1460 / H 1350
1520 - W 3235 / D 1460 / H 1350
1710 - W 3615 / D 1460 / H 1350

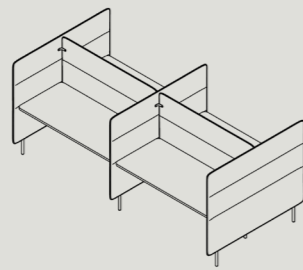


AWH-S-SPL3-XXXX
1330 - W 4250 / D 1460 / H 1350
1520 - W 4820 / D 1460 / H 1350
1710 - W 5390 / D 1460 / H 1350

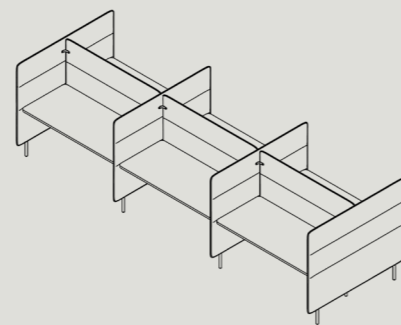
ADAPT WORK HIGH-BACK OPEN BACK TO BACK (SINGLE SCREEN)



AWH-S-OL1-B-XXXX
1330 - W 1460 / D 1650 / H 1350
1520 - W 1650 / D 1650 / H 1350
1710 - W 1840 / D 1650 / H 1350

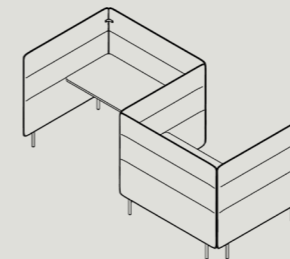


AWH-S-OL2-B-XXXX
1330 - W 2855 / D 1650 / H 1350
1520 - W 3235 / D 1650 / H 1350
1710 - W 3615 / D 1650 / H 1350

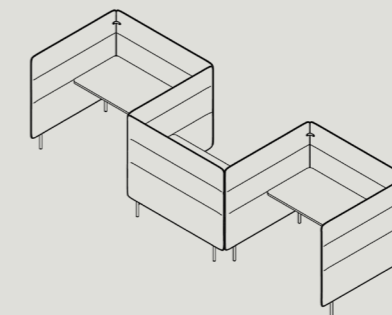


AWH-S-OL3-B-XXXX
1330 - W 4250 / D 1650 / H 1350
1520 - W 4820 / D 1650 / H 1350
1710 - W 5390 / D 1650 / H 1350

ADAPT WORK HIGH-BACK SEMI PRIVATE ALTERNATING (SINGLE SCREEN)

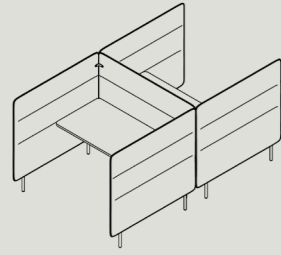


AWH-S-SPL2-A-XXXX
1330 - W 2855 / D 1460 / H 1350
1520 - W 3235 / D 1460 / H 1350
1710 - W 3615 / D 1460 / H 1350

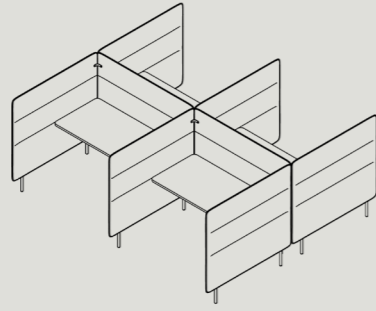


AWH-S-SPL3-A-XXXX
1330 - W 4250 / D 1460 / H 1350
1520 - W 4820 / D 1460 / H 1350
1710 - W 5390 / D 1460 / H 1350

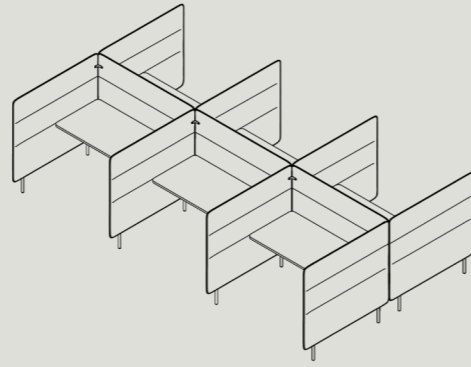
ADAPT WORK HIGH-BACK SEMI PRIVATE BACK TO BACK (SINGLE SCREEN)



AWH-S-SPL2-B-XXXX
1330 - W 1460 / D 2845 / H 1350
1520 - W 1650 / D 2845 / H 1350
1710 - W 1840 / D 2845 / H 1350

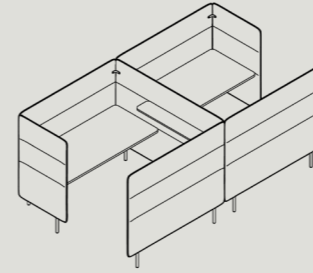


AWH-S-SPL4-B-XXXX
1330 - W 2855 / D 2845 / H 1350
1520 - W 3235 / D 2845 / H 1350
1710 - W 3615 / D 2845 / H 1350

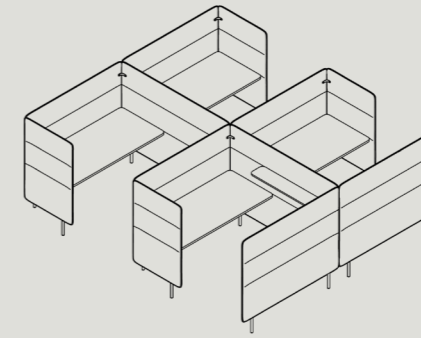


AWH-S-SPL6-B-XXXX
1330 - W 4250 / D 2845 / H 1350
1520 - W 4820 / D 2845 / H 1350
1710 - W 5390 / D 2845 / H 1350

ADAPT WORK HIGH-BACK PRIVATE BACK TO BACK (SINGLE SCREEN)

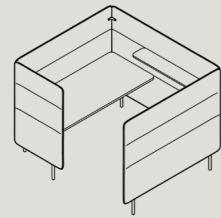


AWH-S-PL2-B-XXXX
W 1840 / D 2855 / H 1350
W 1840 / D 3235 / H 1350
W 1840 / D 3615 / H 1350

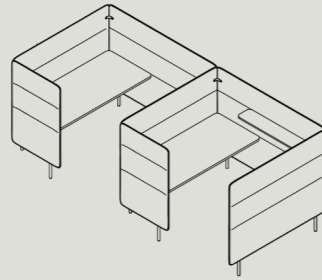


AWH-S-PL4-B-XXXX
W 3605 / D 2855 / H 1350
W 3605 / D 3235 / H 1350
W 3605 / D 3615 / H 1350

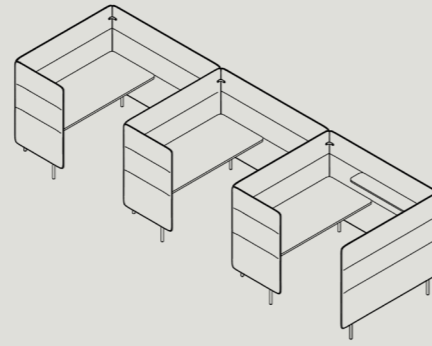
ADAPT WORK HIGH-BACK PRIVATE SINGLE / LINEAR (SINGLE SCREEN)



AWH-S-PL1-XXXX
1330 - W 1840 / D 1460 / H 1350
1520 - W 1840 / D 1650 / H 1350
1710 - W 1840 / D 1840 / H 1350

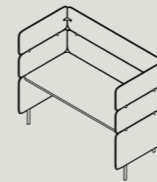


AWH-S-PL2-XXXX
1330 - W 3605 / D 1460 / H 1350
1520 - W 3605 / D 1650 / H 1350
1710 - W 3605 / D 1840 / H 1350

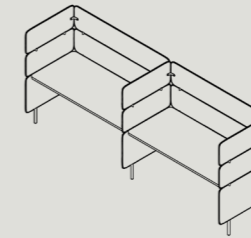


AWH-S-PL3-XXXX
1330 - W 5370 / D 1460 / H 1350
1520 - W 5370 / D 1650 / H 1350
1710 - W 5370 / D 1840 / H 1350

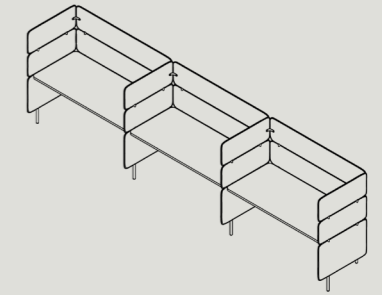
ADAPT WORK HIGH-BACK OPEN SINGLE / LINEAR (DOUBLE SCREEN)



AWH-D-OL1-XXXX
1330 - W 1460 / D 825 / H 1350
1520 - W 1650 / D 825 / H 1350
1710 - W 1840 / D 825 / H 1350

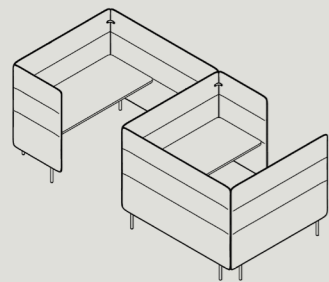


AWH-D-OL2-XXXX
1330 - W 2855 / D 825 / H 1350
1520 - W 3235 / D 825 / H 1350
1710 - W 3615 / D 825 / H 1350

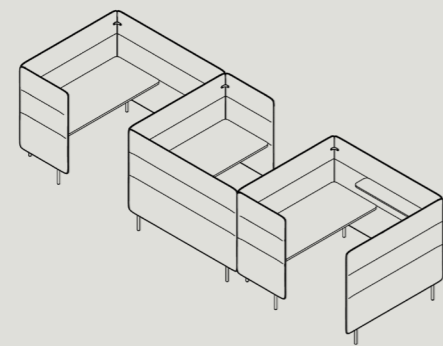


AWH-D-OL3-XXXX
1330 - W 4250 / D 825 / H 1350
1520 - W 4820 / D 825 / H 1350
1710 - W 5390 / D 825 / H 1350

ADAPT WORK HIGH-BACK PRIVATE ALTERNATING (SINGLE SCREEN)

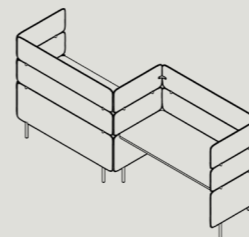


AWH-S-PL2-A-XXXX
1330 - W 3605 / D 1460 / H 1350
1520 - W 3605 / D 1650 / H 1350
1710 - W 3605 / D 1840 / H 1350

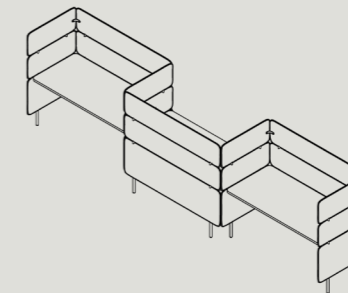


AWH-S-PL3-A-XXXX
1330 - W 5370 / D 1460 / H 1350
1520 - W 5370 / D 1650 / H 1350
1710 - W 5370 / D 1840 / H 1350

ADAPT WORK HIGH-BACK OPEN ALTERNATING (DOUBLE SCREEN)

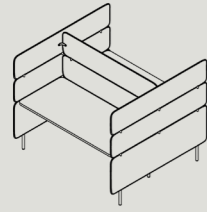


AWH-D-OL2-A-XXXX
1330 - W 2855 / D 825 / H 1350
1520 - W 3235 / D 825 / H 1350
1710 - W 3615 / D 825 / H 1350

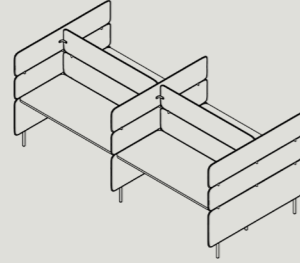


AWH-D-OL3-A-XXXX
1330 - W 4250 / D 825 / H 1350
1520 - W 4820 / D 825 / H 1350
1710 - W 5390 / D 825 / H 1350

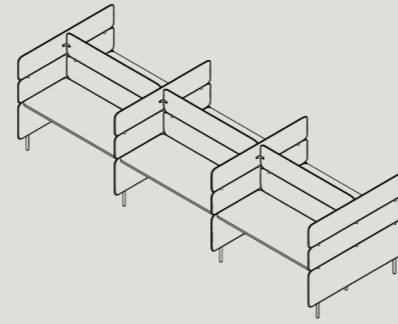
ADAPT WORK HIGH-BACK OPEN BACK TO BACK (DOUBLE SCREEN)



AWH-D-OL2-B-XXXX
1330 - W 1460 / D 1650 / H 1350
1520 - W 1650 / D 1650 / H 1350
1710 - W 1840 / D 1650 / H 1350

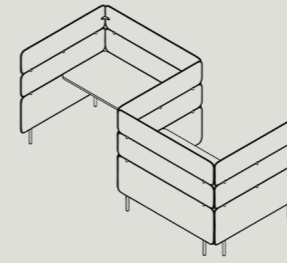


AWH-D-OL4-B-XXXX
1330 - W 2855 / D 1650 / H 1350
1520 - W 3235 / D 1650 / H 1350
1710 - W 3615 / D 1650 / H 1350

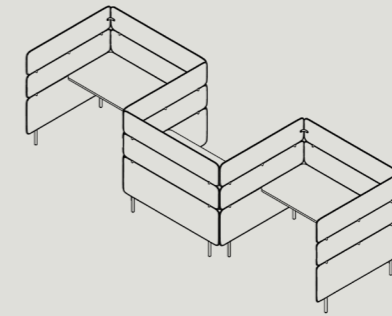


AWH-D-OL6-B-XXXX
1330 - W 4250 / D 1650 / H 1350
1520 - W 4820 / D 1650 / H 1350
1710 - W 5390 / D 1650 / H 1350

ADAPT WORK HIGH-BACK SEMI PRIVATE ALTERNATING (DOUBLE SCREEN)

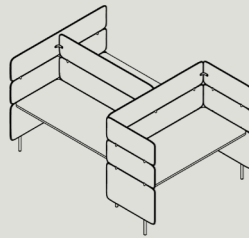


AWH-D-SPL2-A-XXXX
1330 - W 2855 / D 1460 / H 1350
1520 - W 3235 / D 1460 / H 1350
1710 - W 3615 / D 1460 / H 1350

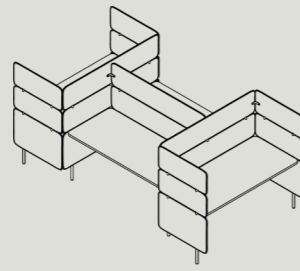


AWH-D-SPL3-A-XXXX
1330 - W 4250 / D 1460 / H 1350
1520 - W 4820 / D 1460 / H 1350
1710 - W 5390 / D 1460 / H 1350

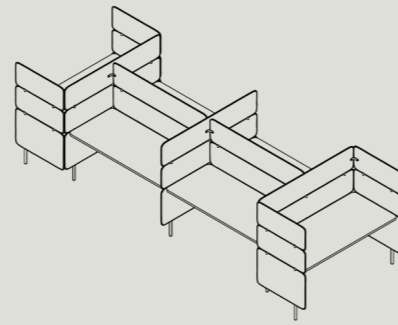
ADAPT WORK HIGH-BACK OPEN PERPENDICULAR (DOUBLE SCREEN)



AWM-D-OP3-XXXX
1330 - W 2220 / D 1650 / H 1350
1520 - W 2410 / D 1650 / H 1350
1710 - W 2600 / D 1650 / H 1350

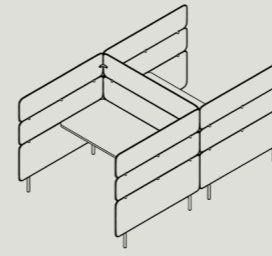


AWM-D-OP4-XXXX
1330 - W 2980 / D 1650 / H 1350
1520 - W 3170 / D 1650 / H 1350
1710 - W 3360 / D 1650 / H 1350

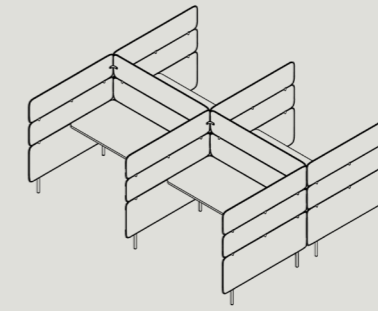


AWM-D-OP6-XXXX
1330 - W 4375 / D 1650 / H 1350
1520 - W 4755 / D 1650 / H 1350
1710 - W 5135 / D 1650 / H 1350

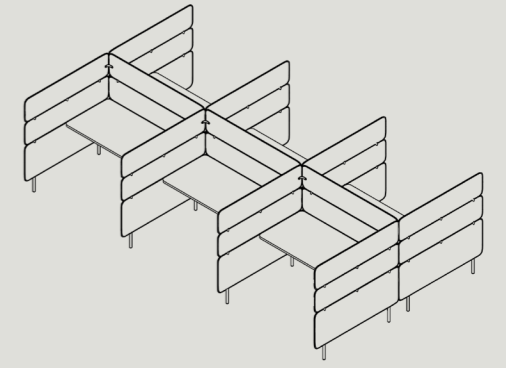
ADAPT WORK HIGH-BACK SEMI PRIVATE BACK TO BACK (DOUBLE SCREEN)



AWH-D-SPL2-B-XXXX
1330 - W 1460 / D 2845 / H 1350
1520 - W 1650 / D 2845 / H 1350
1710 - W 1840 / D 2845 / H 1350

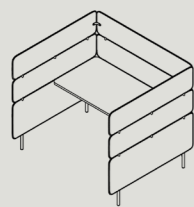


AWH-D-SPL4-B-XXXX
1330 - W 2855 / D 2845 / H 1350
1520 - W 3235 / D 2845 / H 1350
1710 - W 3615 / D 2845 / H 1350

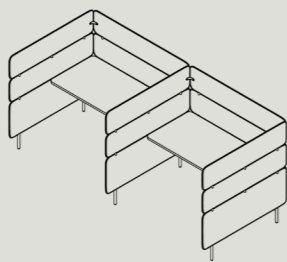


AWH-D-SPL6-B-XXXX
1330 - W 4250 / D 2845 / H 1350
1520 - W 4820 / D 2845 / H 1350
1710 - W 5390 / D 2845 / H 1350

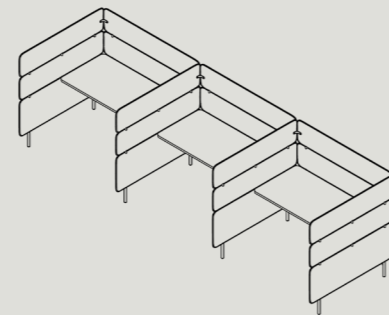
ADAPT WORK HIGH-BACK SEMI PRIVATE SINGLE / LINEAR (DOUBLE SCREEN)



AWH-D-SPL1-XXXX
1330 - W 1460 / D 1460 / H 1350
1520 - W 1650 / D 1460 / H 1350
1710 - W 1840 / D 1460 / H 1350

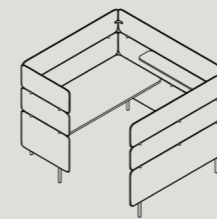


AWH-D-SPL2-XXXX
1330 - W 2855 / D 1460 / H 1350
1520 - W 3235 / D 1460 / H 1350
1710 - W 3615 / D 1460 / H 1350

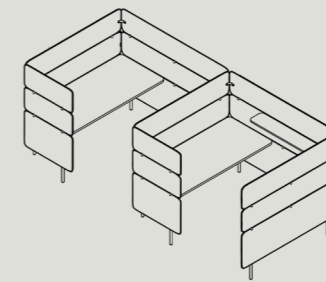


AWH-D-SPL3-XXXX
1330 - W 4250 / D 1460 / H 1350
1520 - W 4820 / D 1460 / H 1350
1710 - W 5390 / D 1460 / H 1350

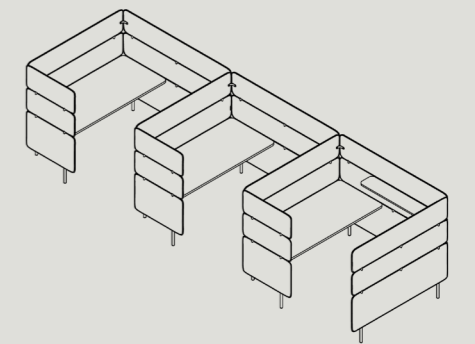
ADAPT WORK HIGH-BACK PRIVATE SINGLE / LINEAR (DOUBLE SCREEN)



AWH-D-PL1-XXXX
1330 - W 1840 / D 1460 / H 1350
1520 - W 1840 / D 1650 / H 1350
1710 - W 1840 / D 1840 / H 1350

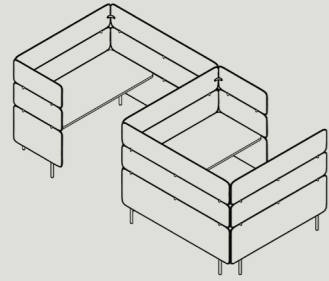


AWH-D-PL2-XXXX
1330 - W 3605 / D 1460 / H 1350
1520 - W 3605 / D 1650 / H 1350
1710 - W 3605 / D 1840 / H 1350

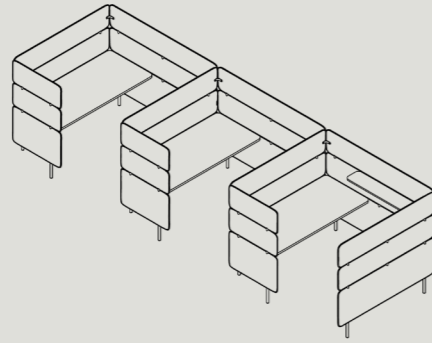


AWH-D-PL3-XXXX
1330 - W 5370 / D 1460 / H 1350
1520 - W 5370 / D 1650 / H 1350
1710 - W 5370 / D 1840 / H 1350

ADAPT WORK HIGH-BACK PRIVATE ALTERNATING (DOUBLE SCREEN)

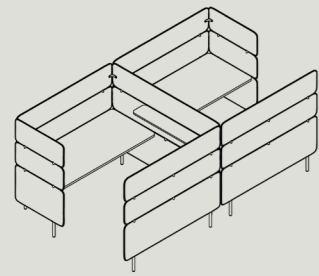


AWH-D-PL2-A-XXXX
 1330 - W 3605 / D 1460 / H 1350
 1520 - W 3605 / D 1650 / H 1350
 1710 - W 3605 / D 1840 / H 1350

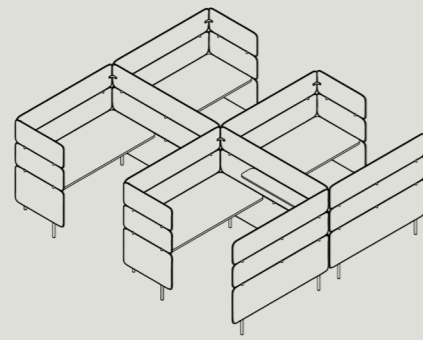


AWH-D-PL3-A-XXXX
 1330 - W 5370 / D 1460 / H 1350
 1520 - W 5370 / D 1650 / H 1350
 1710 - W 5370 / D 1840 / H 1350

ADAPT WORK HIGH-BACK PRIVATE BACK TO BACK (DOUBLE SCREEN)



AWH-D-PL2-B-XXXX
 1330 - W 1840 / D 2855 / H 1350
 1520 - W 1840 / D 3235 / H 1350
 1710 - W 1840 / D 3615 / H 1350



AWH-D-PL4-B-XXXX
 1330 - W 3605 / D 2855 / H 1350
 1520 - W 3605 / D 3235 / H 1350
 1710 - W 3605 / D 3615 / H 1350