



## NEBULAE VERTICAL


### CHANDELIER

The Nebulae Collection is inspired by the diffusion of both natural and LED light. The geometric machined forms coupled with the fluid glass discs creates a balance between the elements. The chandelier can be composed in a variety of hanging configurations and is available in one, two, three and five hanging options with symmetrical or offset variations. The body is manufactured from machined aluminium white champagne or black anodised. Nebulae's discs are available in a textured, bubbled black glass, white pearl or a fluted clear glass, each creating a unique light dispersion.

### AVAILABLE FINISHES



### TECHNICAL

MATERIAL	ANODISED ALUMINIUM, GLASS
LAMPING	9W E27 LED, 820 LM 3000K WARM WHITE, DIMMABLE SUPPLIED FOR AUS/NZ SALES (220-240V) ONLY (E26 LAMP HOLDER (120V) SUPPLIED FOR NORTH AMERICA/CANADA)
LED LIFESPAN	9W LED LIFESPAN = 15,000 HRS
CONTROL	PHASE-CONTROL / NETWORK-CONTROL DIMMABLE DIMMING RANGE 10 - 100%. FOR OPTIMAL DIMMING PERFORMANCE WE RECOMMEND SOURCING A ROTARY OR PUSH BUTTON DIMMER WITH AN ADJUSTMENT DIAL CAPABLE OF SETTING THE DIMMING RANGE OF THE FIXTURE.
CANOPY	BLACK (BLACK ANODISED) OR WHITE (WHITE CHAMPAGNE ANODISED)
CORD	2M / 7' BLACK (NEBULAE 11 CORDED VERSION ONLY) NOTE: LONGER LENGTHS AVAILABLE UPON REQUEST
IP RATING	IP20 - FOR INDOOR USE ONLY
CERTIFICATION	

### PRODUCT CODES SKU

EG. NC.12.G-FLU.A-WCH = NEBULAE 12 IN FLUTED CLEAR GLASS AND WHITE CHAMPAGNE ANODISED BODY - DOUBLE CHANDELIER

NC.11.G-XXX.A-XXX.C	NEBULAE 11 - SINGLE PENDANT - CORDED
NC.11.G-XXX.A-XXX.T	NEBULAE 11 - SINGLE PENDANT - TUBE
NC.12.G-XXX.A-XXX	NEBULAE 12 - DOUBLE CHANDELIER
NC.13.G-XXX.A-XXX.A	NEBULAE 13 - THREE HANGING CHANDELIER
NC.13.G-XXX.A-XXX.B	NEBULAE 13 - THREE HANGING CHANDELIER - OFFSET
NC.15.G-XXX.A-XXX.A	NEBULAE 15 - FIVE HANGING CHANDELIER
NC.15.G-XXX.A-XXX.B	NEBULAE 15 - FIVE HANGING CHANDELIER - OFFSET

### FINISHES FOR ALL CONFIGURATIONS:

GLASS: FLUTED CLEAR (G- FLU), BUBBLE BLACK (G-BBL), WHITE PEARL (G-PWH) AND RIPPLED BLUE (G-RPL)  
BODY: BLACK ANODISED (A-BLK) AND WHITE CHAMPAGNE ANODISED (A-WCH)

### DIMENSIONS

VARIOUS - SEE DIMENSIONS ON FOLLOWING PAGE\*

### WEIGHT

NEBULAE 11 CORDED & TUBE - 3KG / 6.6LB  
NEBULAE 12 - 5KG / 11KG  
NEBULAE 13 & 13 OFFSET- 8KG / 17.6LB  
NEBULAE 15 & 15 OFFSET - 16KG / 35.2LB

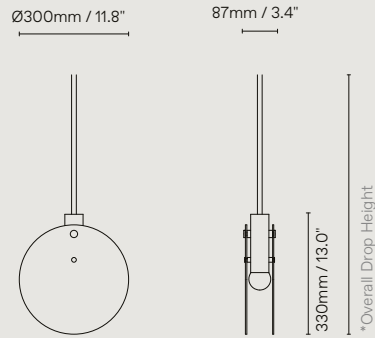
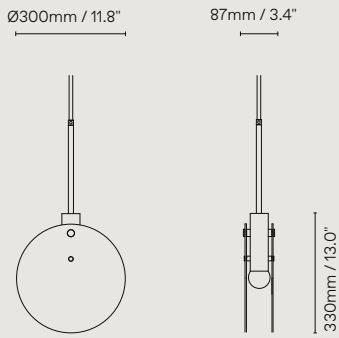
### PACKAGING

NEBULAE 11 / 12 / 13 / 15 - 50X50X25CM / 19.7X19.7X9.8"  
NEBULAE 15 OFFSET - 75X50X25CM / 29.5X19.7X9.8"

### PACKAGING WEIGHT

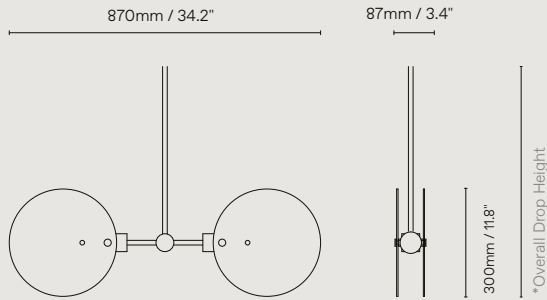
NEBULAE 11 - 5KG / 11LB,  
NEBULAE 12 - 7KG / 15.4LB  
NEBULAE 13 & 13 OFFSET- 10KG / 22LB  
NEBULAE 15 & 15 OFFSET - 18KG / 39.6LB

**DIMENSIONS**

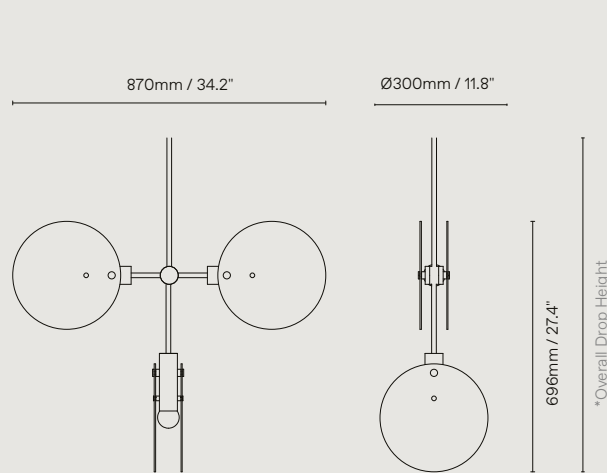


NEBULAE 11 - SINGLE PENDANT - CORDED

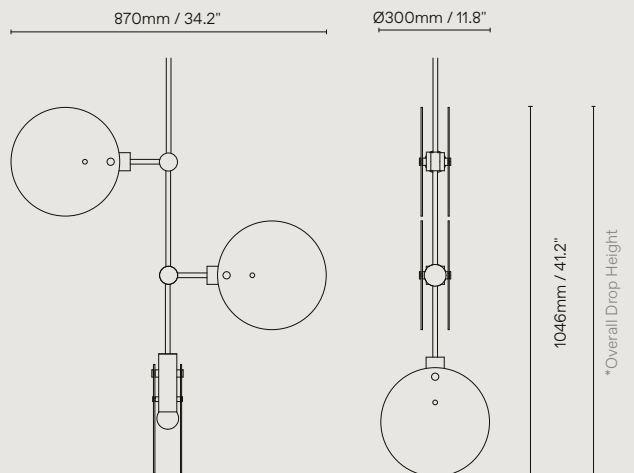
NEBULAE 11 - SINGLE PENDANT - TUBE ONLY



NEBULAE 12 - DOUBLE CHANDELIER

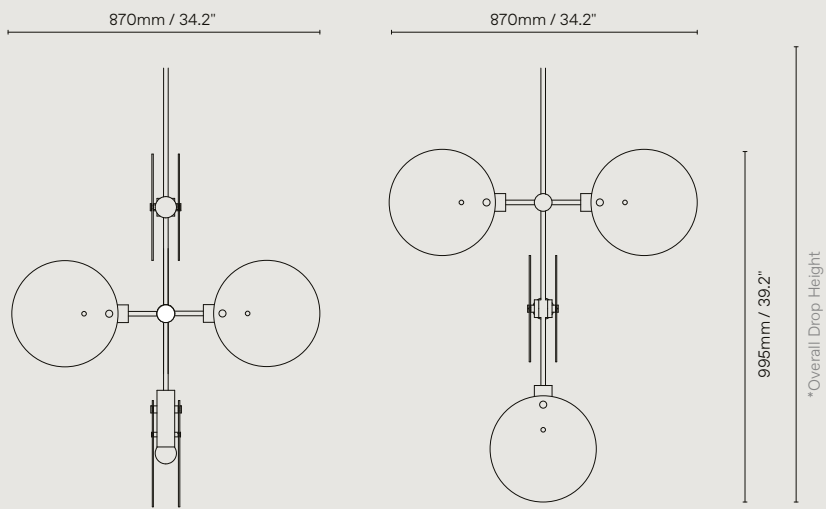


NEBULAE 13 - THREE HANGING CHANDELIER

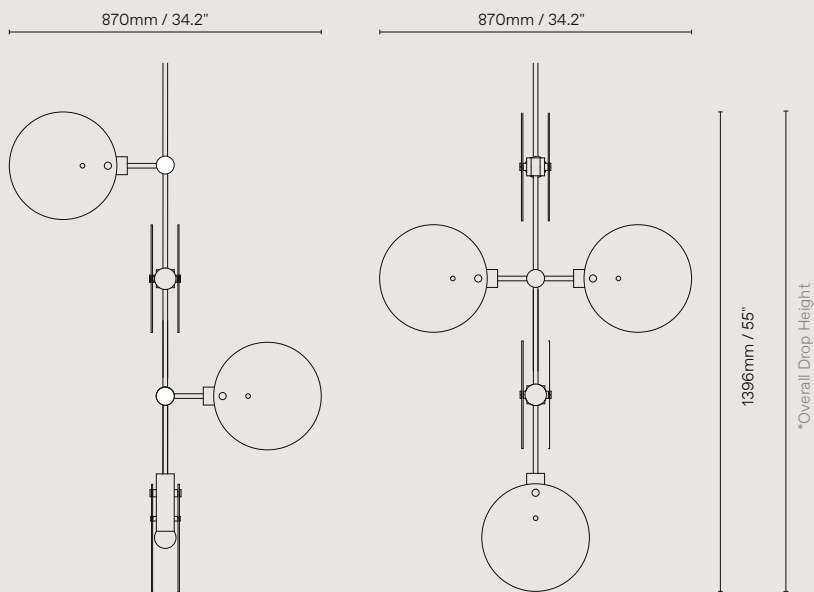


NEBULAE 13 - THREE HANGING CHANDELIER - OFFSET

\*Overall drop height for each Nebulae Chandelier is customised to the individual space and FCL by client.



NEBULAE 15 - FIVE HANGING CHANDELIER



NEBULAE 15 - FIVE HANGING CHANDELIER - OFFSET