



## NEBULAE HORIZONTAL


### CHANDELIER

Designed for use in larger open spaces, working in modular configurations, the Horizontal Nebulae Collection is inspired by the diffusion of both natural and LED light. Available in several configurations and glass finishes, The Nebulae Horizontal collection is both dynamic and sculptural in its linear form. Ideal feature lighting for grand foyers, above dining tables and hotel lobbies.

### AVAILABLE FINISHES



### TECHNICAL

MATERIAL	ANODISED ALUMINIUM, GLASS
LAMPING	9W E27 LED, 820 LM 3000K WARM WHITE, DIMMABLE SUPPLIED WITH AUS/NZ SALES (220-240V) ONLY (E26 LAMP HOLDER (120V) SUPPLIED FOR NORTH AMERICA/CANADA)
LED LIFESPAN	9W LED LIFESPAN = 15,000 HRS
CONTROL	PHASE CONTROL / NETWORK CONTROL DIMMABLE DIMMING RANGE 10 - 100%. FOR OPTIMAL DIMMING PERFORMANCE WE RECOMMEND SOURCING A ROTARY OR PUSH BUTTON DIMMER WITH AN ADJUSTMENT DIAL CAPABLE OF SETTING THE DIMMING RANGE OF THE FIXTURE.
CANOPY	BLACK (BLACK ANODISED) OR WHITE (WHITE CHAMPAGNE ANODISED)
IP RATING	IP20 - FOR INDOOR USE ONLY
CERTIFICATION	

PRODUCT CODES SKU	EG. NC2.3.G-FLU.A-WCH = NEBULAE 23 IN FLUTED CLEAR GLASS AND WHITE CHAMPAGNE ANODISED BODY - HORIZONTAL THREE HANGING CHANDELIER
NC.22.G-XXX.A-XXX	NEBULAE 22 - HORIZONTAL DOUBLE CHANDELIER
NC.23.G-XXX.A-XXX	NEBULAE 23 - HORIZONTAL THREE HANGING
NC.24.G-XXX.A-XXX	NEBULAE 24 - HORIZONTAL FOUR HANGING
NC.34.G-XXX.A-XXX	NEBULAE 34 - HORIZONTAL FOUR HANGING CHANDELIER - TRIPLE DROP
NC.35.G-XXX.A-XXX	NEBULAE 35 - HORIZONTAL FIVE HANGING CHANDELIER TRIPLE DROP

FINISHES FOR ALL CONFIGURATIONS:	GLASS: FLUTED CLEAR (G- FLU), BUBBLE BLACK (G-BBL), WHITE PEARL (G-PWH) AND RIPPLED BLUE (G-RPL) BODY: BLACK ANODISED (A-BLK) AND WHITE CHAMPAGNE ANODISED (A-WCH)
----------------------------------	-----------------------------------------------------------------------------------------------------------------------------------------------------------------------

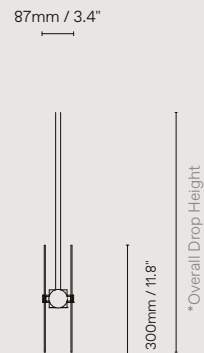
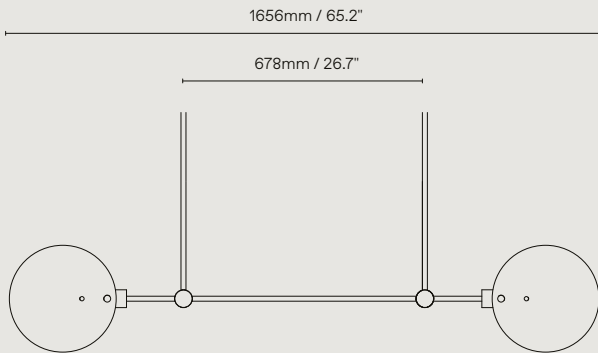
DIMENSIONS	VARIOUS - SEE DIMENSIONS ON FOLLOWING PAGE*
------------	---------------------------------------------

WEIGHT	NEBULAE 22 - 7KG / 15.4LB NEBULAE 23 - 10KG / 22LB NEBULAE 24 - 13KG / 28.6LB NEBULAE 34 - 15KG / 33LB NEBULAE 35 - 17.5KG / 38.5LB
--------	-------------------------------------------------------------------------------------------------------------------------------------------------

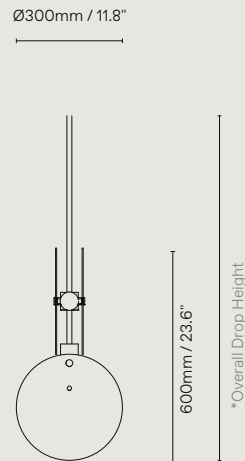
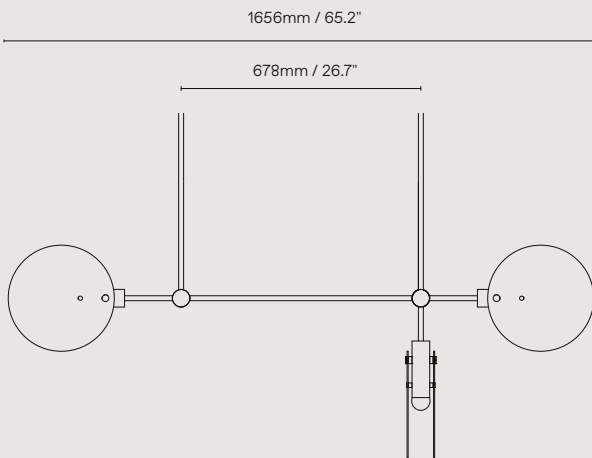
PACKAGING	NEBULAE 22 / 23 / 24 / 34 / 35 - 75X50X25CM / 29.5X19.7X9.8"
-----------	--------------------------------------------------------------

PACKAGING WEIGHT	NEBULAE 22 - 9KG / 19.8LB NEBULAE 23 - 12KG / 26.4LB NEBULAE 24 - 15KG / 33LB NEBULAE 34 - 17KG / 37.4LB NEBULAE 35 - 19.5KG / 42.9LB
------------------	---------------------------------------------------------------------------------------------------------------------------------------------------

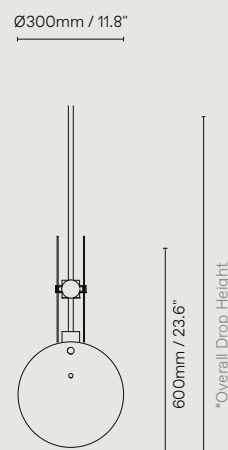
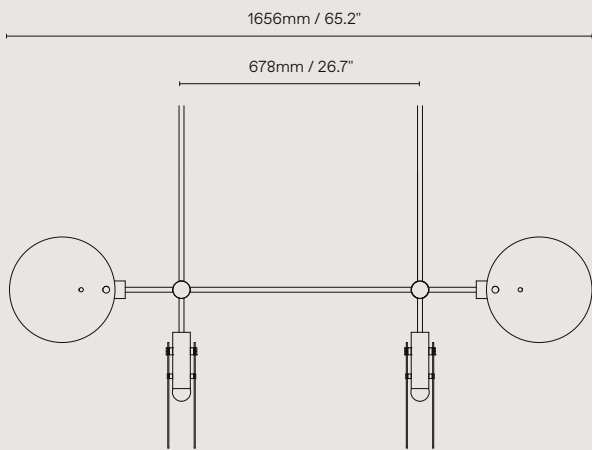
DIMENSIONS



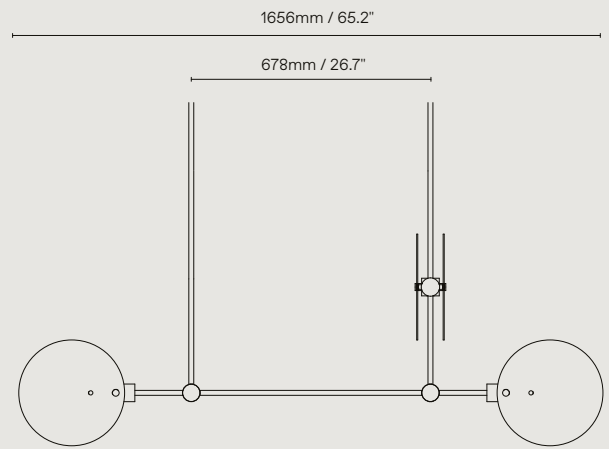
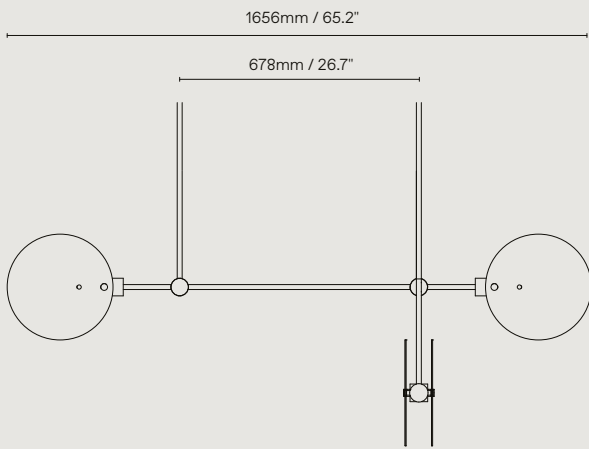
NEBULAE 22 - HORIZONTAL DOUBLE CHANDELIER



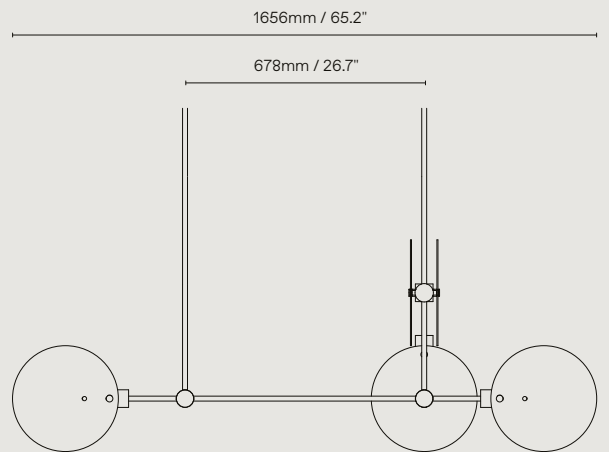
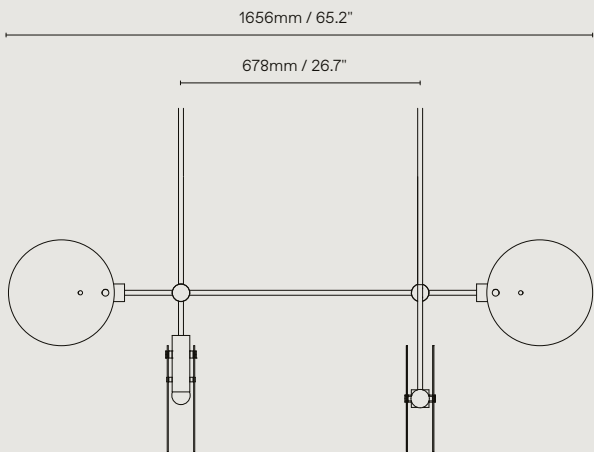
NEBULAE 23 - HORIZONTAL THREE HANGING CHANDELIER



NEBULAE 24 - HORIZONTAL FOUR HANGING CHANDELIER



NEBULAE 34 - HORIZONTAL FOUR HANGING CHANDELIER - TRIPLE DROP



NEBULAE 35 - HORIZONTAL FIVE HANGING CHANDELIER - TRIPLE DROP

\*Over Drop Height for each Nebulae Chandelier is customised to the individual space and FCL by client.