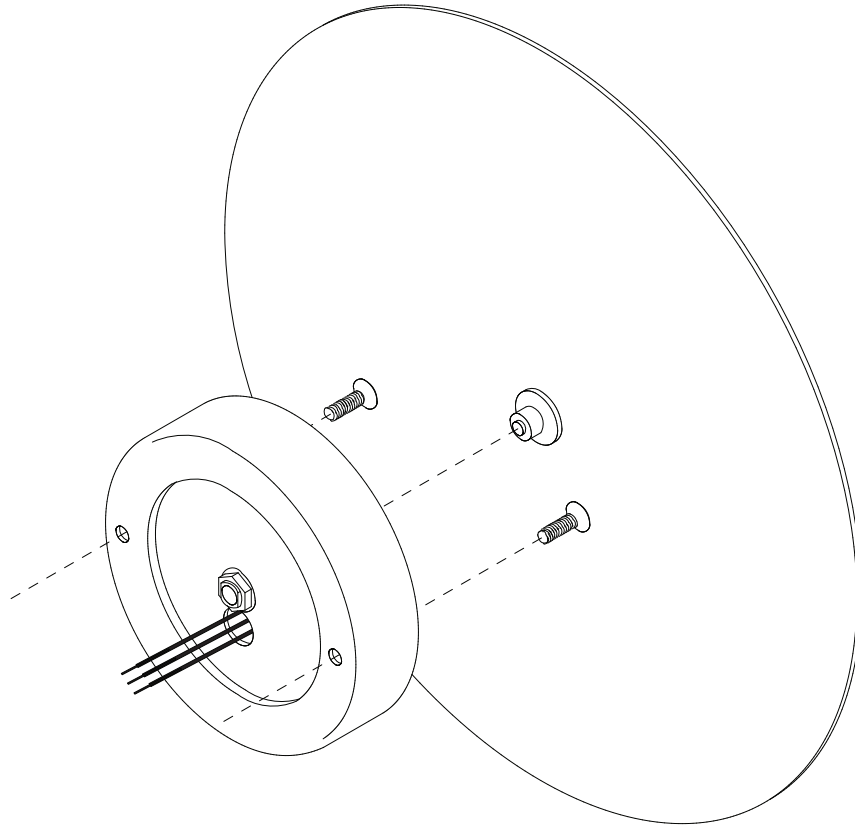


Polar Wall Light

Installation Guide



Instructions

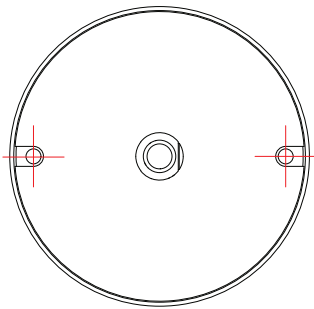
All wall and ceiling fixtures are to be installed by a qualified electrician, do not attempt to install any products unless you are qualified to do so.

1. Unbox and check all components prior to assembly/installation.
2. Please refer to the rear of the page for further details on fixture installation.
3. Unscrew the shade from the wall canopy and put aside.
4. Mark out the mounting points through the wall canopy. Please ensure that the canopy is completely square prior to fixing it to the wall.
5. Wire mains power to the terminal and fully install the canopy to the wall. No Transformer is required for this wall fixture.
6. Screw the shade into the brass swivel and if loose, tighten the swivel screw to provide a firm adjustable movement of the shade.
7. The fixture is supplied with a 13w dimmable LED module.

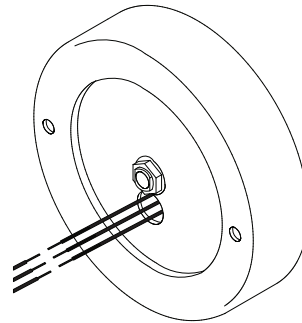
Polar Wall Light

Installation Guide

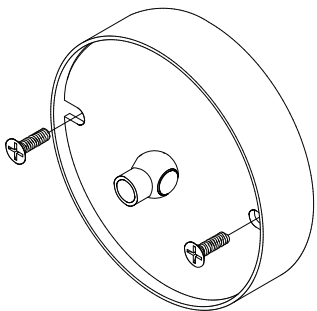
Wall Canopy Mounting



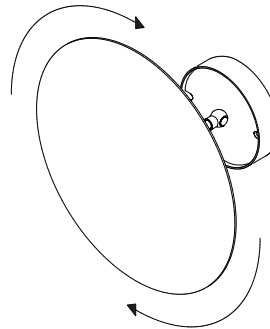
1.
Locate the two mounting holes against the wall and mark out before drilling. Please ensure this is square so the fixture aligns correctly.



2.
Install the wiring to the mains power. No transformer required for this fixture.



2.
Pre-drill the mounting holes. Position the canopy and fix the mounting screws into the wall. Electrician to supply correct fasteners for wall substrate.



4.
Rotate the shade disc back onto the brass swivel, do not overtighten. If loose, tighten the brass swivel with a flat head screw driver.

Safety Precautions

- All products are to be installed by a certified electrician.
- Please refer to the instructions and canopy mounting stages for the installation of the fixture.
- Please do not modify or adjust any fixture in a way that is not clearly stated or intended.
- All lighting products are intended solely for indoor use.
- When switching out light globes or cleaning the product please ensure the power is OFF and the globe is not hot.
- Ross Gardam™ is not responsible for any damages caused by not following the provided instructions.

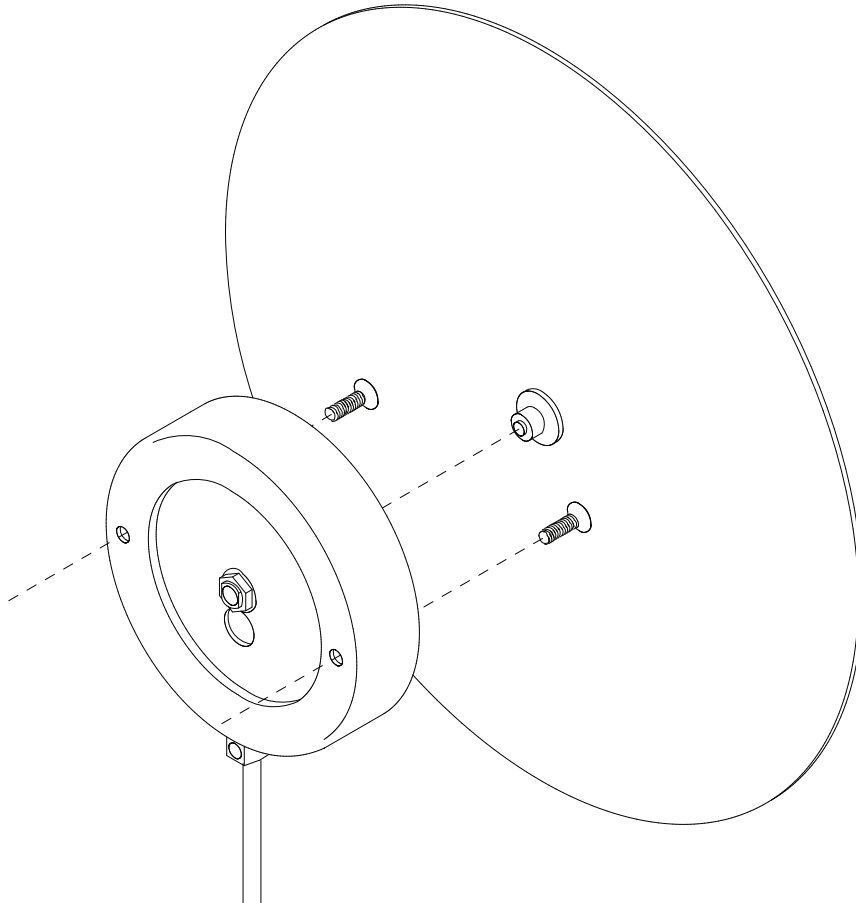
For further information such as care and maintenance, product overviews and disclaimers, please visit our website. Please don't hesitate to contact us directly if you have any questions and enquiries at support@rossgardam.com.au



60W MAX., A.C., 50Hz, 220-240V

Polar Wall Light (with flex)

Installation Guide



Instructions

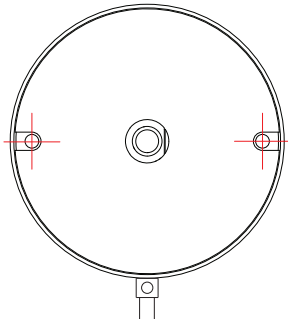
All wall and ceiling fixtures are to be installed by a qualified electrician, do not attempt to install any products unless you are qualified to do so.

1. Unbox and check all components prior to assembly/installation.
2. Please refer to the rear of the page for further details on fixture installation.
3. Unscrew the shade from the wall canopy and put aside.
4. Mark out the mounting points through the wall canopy. Please ensure that the canopy is completely square prior to fixing it to the wall.
5. Fully install the canopy to the wall. Please ensure the canopy is mounted square.
6. Screw the shade into the brass swivel and if loose, tighten the swivel screw to provide a firm adjustable movement of the shade.
7. The fixture is supplied with a 13w dimmable LED module.

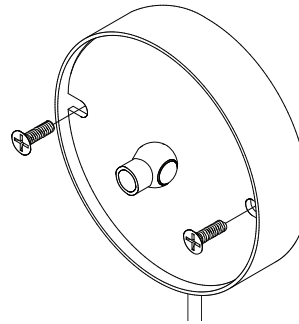
Polar Wall Light (with flex)

Installation Guide

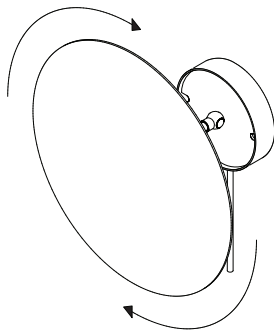
Wall Canopy Mounting



1.
Locate the two mounting holes against the wall and mark out before drilling. Pre-drill the mounting holes.



2.
Pre-drill the mounting holes. Position the canopy and fix the mounting screws into the wall. Electrician to supply correct fasteners for wall substrate.



4.
Rotate the shade disc back onto the brass swivel, do not overtighten. If loose, tighten the brass swivel with a flat head screw driver.

Safety Precautions

- All products are to be installed by a certified electrician.
- Please refer to the instructions and canopy mounting stages for the installation of the fixture.
- Please do not modify or adjust any fixture in a way that is not clearly stated or intended.
- All lighting products are intended solely for indoor use.
- When switching out light globes or cleaning the product please ensure the power is OFF and the globe is not hot.
- Ross Gardam™ is not responsible for any damages caused by not following the provided instructions.

For further information such as care and maintenance, product overviews and disclaimers, please visit our website. Please don't hesitate to contact us directly if you have any questions and enquiries at support@rossgardam.com.au



60W MAX.,A.C.,50Hz, 220-240V