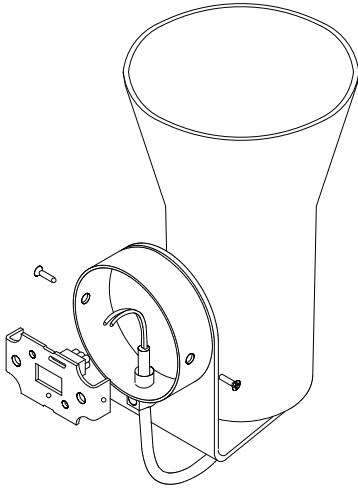


Instructions

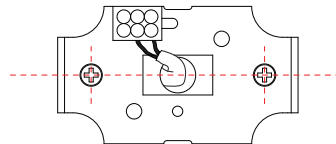
All wall and ceiling fixtures are to be installed by a qualified electrician, do not attempt to install any products unless you are qualified to do so.

1. Unbox and check all components prior to assembly/installation.
2. Please refer to the rear of the page for further details on fixture installation.
3. Unscrew the mounting bracket from the wall canopy, refer to installation instructions for further details.
4. Please ensure that the bracket is completely square prior to fixing it to the wall.
5. Fully install the bracket to the wall and wire mains power to the terminal.
6. This light is supplied with an 9w dimmable LED globe (anodised, copper and brass) or 6w filament LED globe (Glass shades). If you are substituting the globe please select a similar globe specification. Please note that for all international orders (excluding New Zealand) the globe is not supplied, please source a globe with similar specifications.

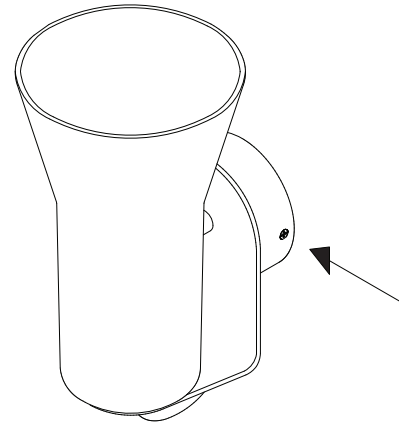
Wall Canopy Mounting



1.
Remove the mounting bracket via the side screws.



2.
Mark out the bracket screw locations on the wall. Please ensure the bracket is square for the fixture to align correctly. Screw the bracket into place.



2.
Wire the flex into the wall mount terminal. Position the canopy over the bracket and fasten the two side screws to complete the installation. Electrician to supply correct fasteners for wall substrate.

Safety Precautions

- All products are to be installed by a certified electrician.
- Please refer to the instructions and canopy mounting stages for the installation of the fixture.
- Please do not modify or adjust any fixture in a way that is not clearly stated or intended.
- All lighting products are intended solely for indoor use.
- When switching out light globes or cleaning the product please ensure the power is OFF and the globe is not hot.
- Ross Gardam™ is not responsible for any damages caused by not following the provided instructions.

For further information such as care and maintenance, product overviews and disclaimers, please visit our website. Please don't hesitate to contact us directly if you have any questions and enquiries at support@rossgardam.com.au



60W MAX.,A.C.,50Hz, 220-240V